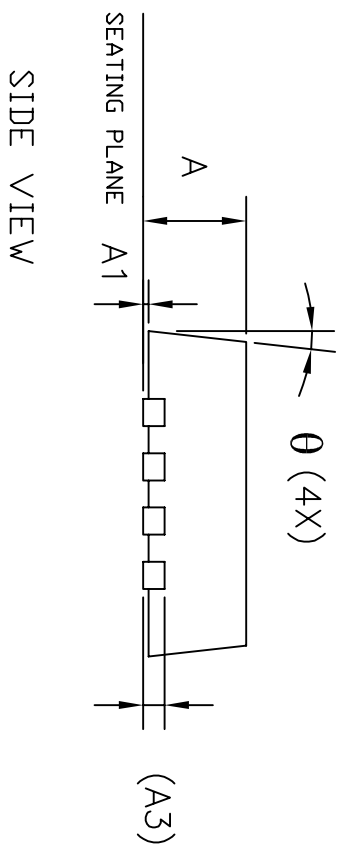
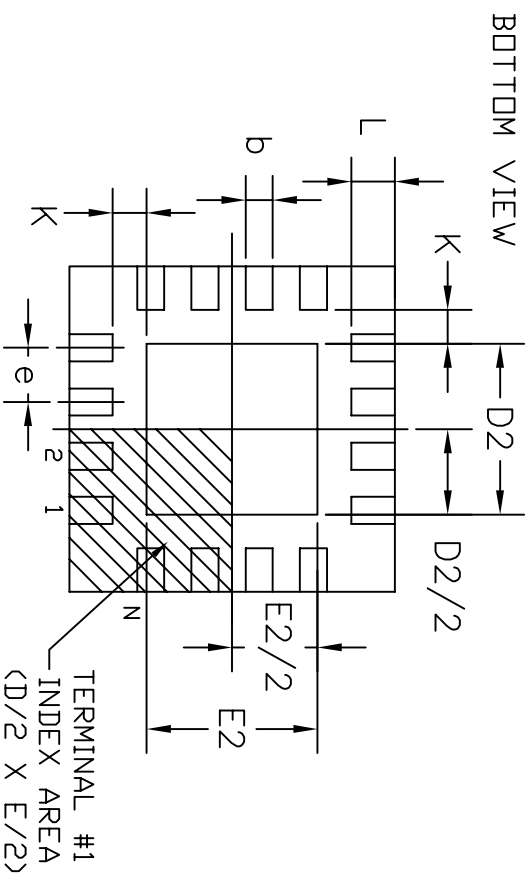
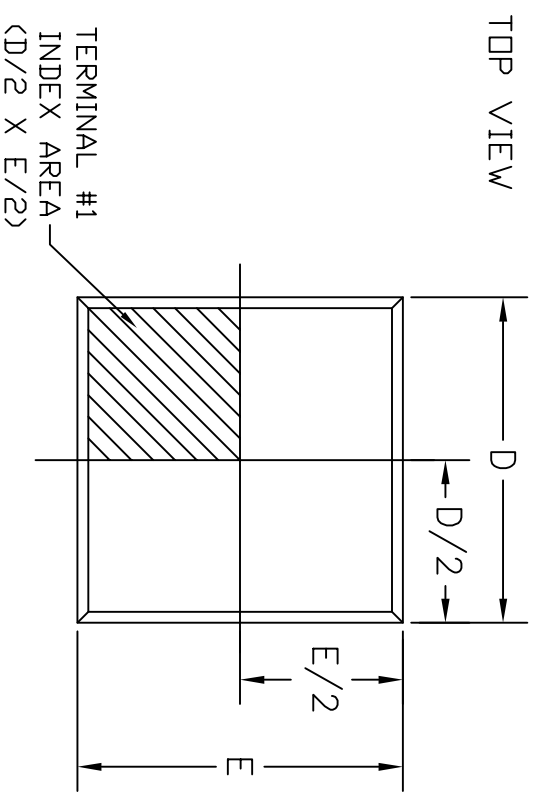



REVISION HISTORY			
REV.	DESCRIPTION	DATE	APP'D
A	DRAWING ORIGINATION	02/11/09	PC



20LD 4x4 QFN JEDEC MO-220 Variation VGGD-5

SYMBOLS	DIMENSIONS IN MM (Control Unit)			DIMENSIONS IN INCH (Reference Unit)		
	MIN	NOM	MAX	MIN	NOM	MAX
A	0.80	0.90	1.00	0.032	0.035	0.039
A1	0.00	0.02	0.05	0.000	0.001	0.002
A3	0.20 REF			0.008 REF		
b	0.18	0.25	0.30	0.007	0.010	0.012
D	4.00 BSC			0.157 BSC		
D2	2.50	2.65	2.80	0.098	1.104	0.110
E	4.00 BSC			0.157 BSC		
E2	2.50	2.65	2.80	0.098	1.104	0.110
e	0.50 BSC			0.020 BSC		
L	0.35	0.40	0.45	0.014	0.016	0.018
K	0.20	—	—	0.008	—	—
θ	0°	—	14°	0°	—	14°
N	20			20		
ND	5			5		
NE	5			5		

		Packaging Approval:	
		By: PC	Date: 02/11/09
EXAR CORPORATION		Drawing No: 20-PIN 4x4 QFN	
		Revision: A Sheet: 1 OF 1	



EXAR CORPORATION

20 PIN 4x4 QFN PACKAGE OUTLINE

By: PC Date: 02/11/09 Revision: A Sheet: 1 OF 1