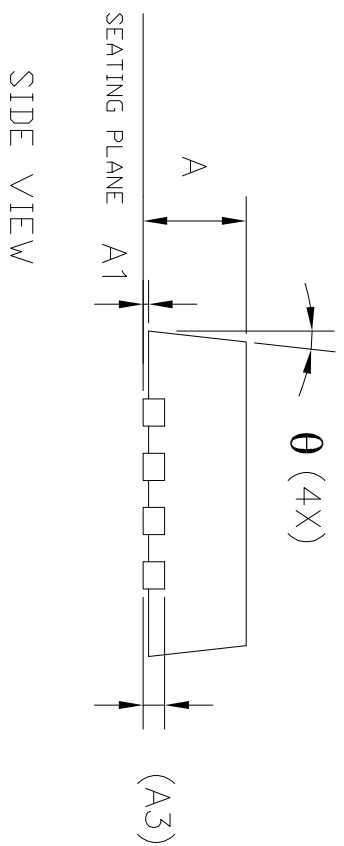
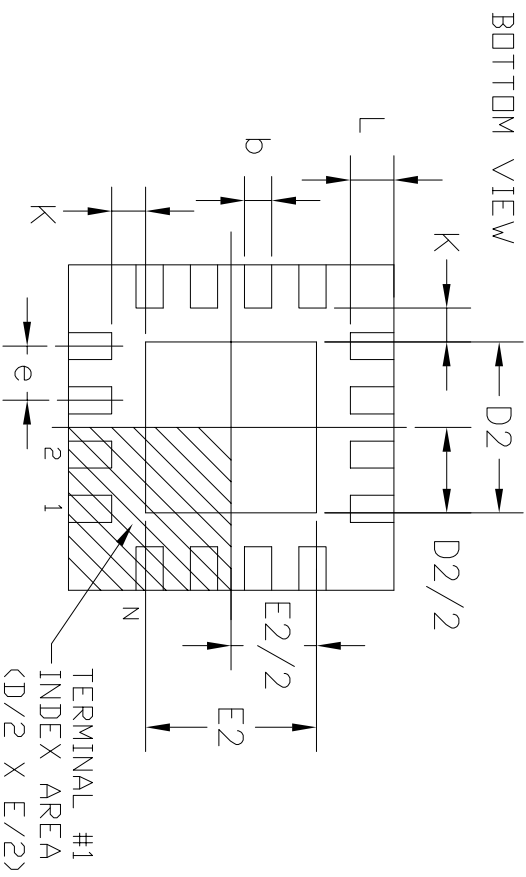
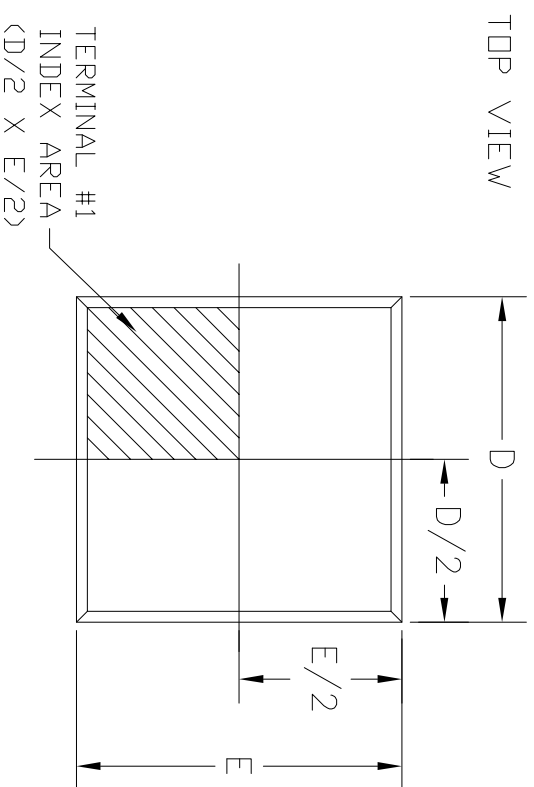


| REVISION HISTORY | | | |
|------------------|--------------------------------------|----------|-------|
| REV. | DISCRIPTION | DATE | APP'D |
| A | DRAWING ORIGINATOR | 08/12/05 | JL |
| B | MODIFY DRAWING FORMAT | 07/20/06 | JL |
| C | CHANGE DRAWING LOGO AND COMPANY NAME | 11/21/07 | JL |
| D | ADD "(OPTION 1)" TO DRAWING TITLE | 02/11/09 | PC |

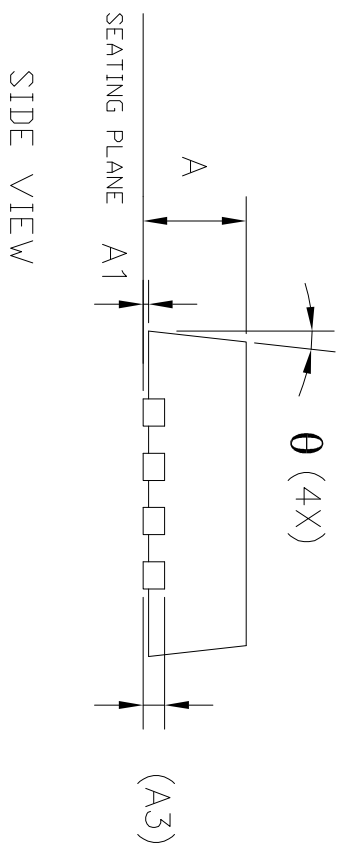
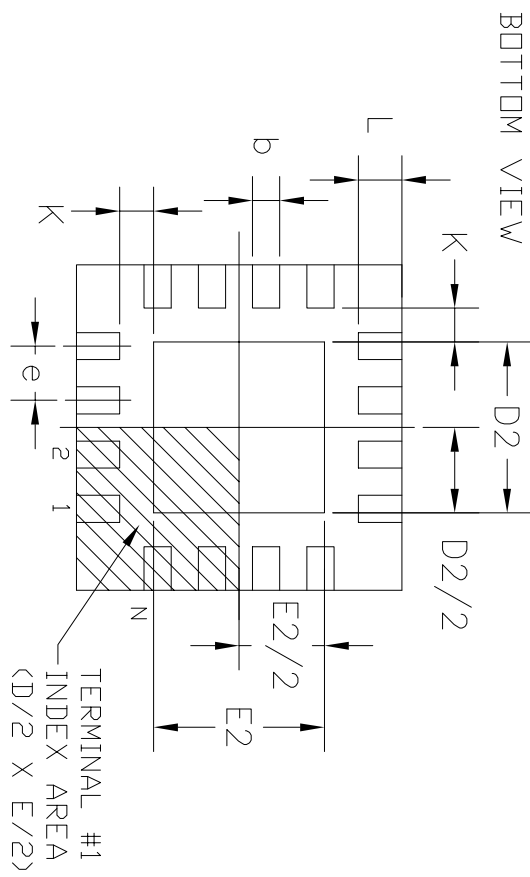
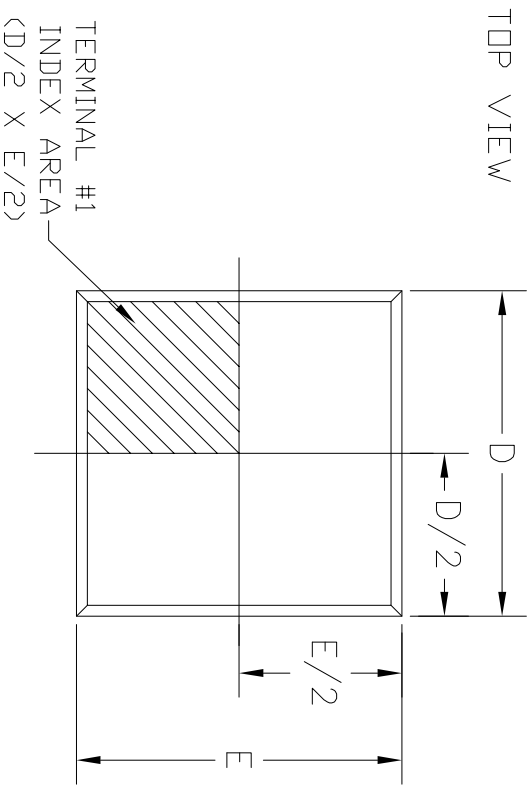


16LD 3x3 QFN (OPTION 1) JEDEC MO-220 Variation VEED-4

| SYMBOLS | DIMENSIONS IN MM (Control Unit) | | | DIMENSIONS IN INCH (Reference Unit) | | |
|---------|------------------------------------|------|------|--|-------|-------|
| | MIN | NOM | MAX | MIN | NOM | MAX |
| A | 0.80 | 0.90 | 1.00 | 0.032 | 0.036 | 0.039 |
| A1 | 0.00 | 0.02 | 0.05 | 0.000 | 0.001 | 0.002 |
| A3 | 0.20 REF | | | 0.008 REF | | |
| b | 0.18 | 0.25 | 0.30 | 0.007 | 0.010 | 0.012 |
| D | 3.00 BSC | | | 0.118 BSC | | |
| D2 | 1.50 | 1.65 | 1.80 | 0.060 | 0.065 | 0.071 |
| E | 3.00 BSC | | | 0.118 BSC | | |
| E2 | 1.50 | 1.65 | 1.80 | 0.060 | 0.065 | 0.071 |
| e | 0.50 BSC | | | 0.020 BSC | | |
| L | 0.35 | 0.40 | 0.45 | 0.014 | 0.016 | 0.018 |
| K | 0.20 | — | — | 0.008 | — | — |
| theta | 0° | — | 14° | 0° | — | 14° |
| N | 16 | | | 16 | | |
| ND | 4 | | | 4 | | |
| NE | 4 | | | 4 | | |

| | | | |
|---------------------|----------------|---|-------------|
| | | EXAR CORPORATION | |
| Packaging Approval: | | 16 PIN 3x3 QFN PACKAGE OUTLINE (OPTION 1) | |
| By: PC | Date: 02/11/09 | Drawing No: 16-PIN 3x3 QFN | Revision: D |
| | | Sheet: 1 | OF 1 |

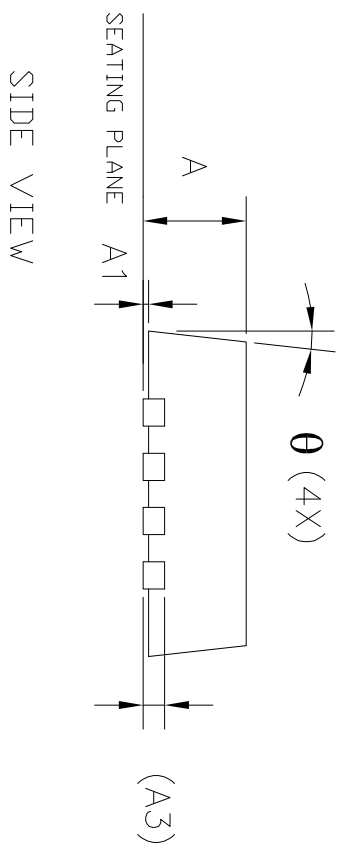
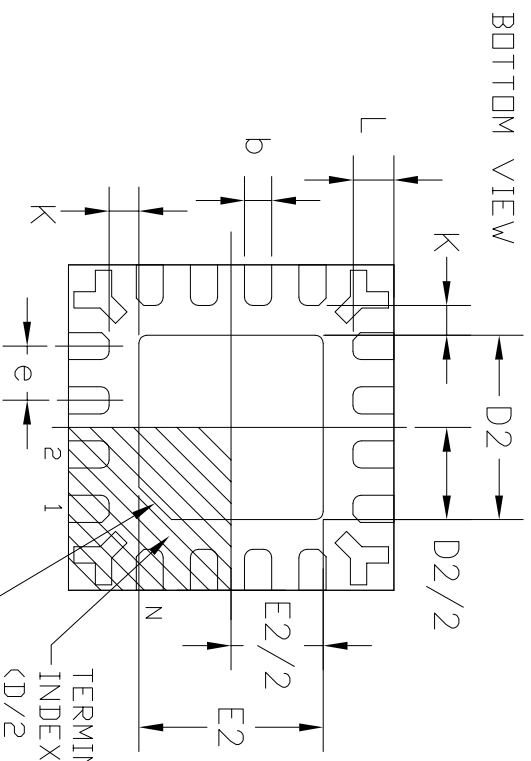
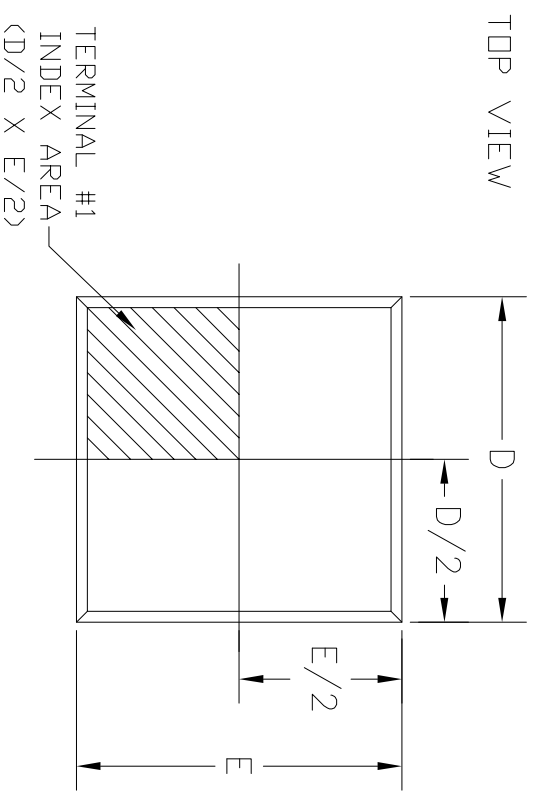
| REVISION HISTORY | | | |
|------------------|---|----------|-------|
| REV. | DESCRIPTION | DATE | APP'D |
| A | DRAWING ORIGINATOR. | 02/11/09 | PC |
| B | REMOVED NOTE AND "-4" FROM JEDEC VARIATION. CHANGE DIMENSION A, D2 AND E2. | 04/22/09 | PC |



| 16LD 3x3 QFN (OPTION 2) JEDEC MO-220 Variation VEED | | | | | | | |
|---|------------------------------------|------|------|--|-------|-------|--|
| SYMBOLS | DIMENSIONS IN MM (Control Unit) | | | DIMENSIONS IN INCH (Reference Unit) | | | |
| | MIN | NOM | MAX | MIN | NOM | MAX | |
| A | 0.80 | 0.90 | 1.00 | 0.032 | 0.036 | 0.039 | |
| A1 | 0.00 | 0.02 | 0.05 | 0.000 | 0.001 | 0.002 | |
| A3 | 0.20 REF | | | 0.008 REF | | | |
| b | 0.20 | 0.25 | 0.30 | 0.008 | 0.010 | 0.012 | |
| D | 3.00 BSC | | | 0.118 BSC | | | |
| D2 | 1.60 | 1.70 | 1.80 | 0.063 | 0.067 | 0.071 | |
| E | 3.00 BSC | | | 0.118 BSC | | | |
| E2 | 1.60 | 1.70 | 1.80 | 0.063 | 0.067 | 0.071 | |
| e | 0.50 BSC | | | 0.020 BSC | | | |
| L | 0.25 | 0.30 | 0.35 | 0.010 | 0.012 | 0.014 | |
| K | 0.20 | — | | 0.008 | — | | |
| theta | 0° | 14° | | 0° | 14° | | |
| N | 16 | | | 16 | | | |
| ND | 4 | | | 4 | | | |
| NE | 4 | | | 4 | | | |

| | | | |
|---------------------|----------------|---|-------------|
| | | EXAR CORPORATION | |
| Packaging Approval: | | 16 PIN 3x3 QFN PACKAGE OUTLINE (OPTION 2) | |
| By: PC | Date: 04/22/09 | Drawing No: 16-PIN 3x3 QFN | Revision: B |
| | | Sheet: 1 | OF 1 |

| REVISION HISTORY | | | |
|------------------|---------------------|----------|-------|
| REV. | DISCRIPTION | DATE | APP'D |
| A | DRAWING ORIGINATION | 04/22/09 | PC |
| | | | |
| | | | |



16LD 3x3 QFN (OPTION 3) JEDEC MO-220 Variation VEED

| SYMBOLS | DIMENSIONS IN MM (Control Unit) | | | DIMENSIONS IN INCH (Reference Unit) | | |
|---------|------------------------------------|------|------|--|-------|-------|
| | MIN | NOM | MAX | MIN | NOM | MAX |
| A | 0.80 | 0.90 | 1.00 | 0.032 | 0.036 | 0.039 |
| A1 | 0.00 | 0.02 | 0.05 | 0.000 | 0.001 | 0.002 |
| A3 | 0.20 REF | | | 0.008 REF | | |
| b | 0.20 | 0.25 | 0.30 | 0.008 | 0.010 | 0.012 |
| D | 3.00 BSC | | | 0.118 BSC | | |
| D2 | 1.60 | 1.70 | 1.80 | 0.063 | 0.067 | 0.071 |
| E | 3.00 BSC | | | 0.118 BSC | | |
| E2 | 1.60 | 1.70 | 1.80 | 0.063 | 0.067 | 0.071 |
| e | 0.50 BSC | | | 0.020 BSC | | |
| L | 0.33 | 0.38 | 0.43 | 0.013 | 0.015 | 0.017 |
| K | 0.20 | — | | 0.008 | — | |
| theta | 0° | — | | 14° | — | |
| N | 16 | | | 16 | | |
| ND | 4 | | | 4 | | |
| NE | 4 | | | 4 | | |

PIN #1 IDENTIFICATION
CHAMFER 0.300 X 45°



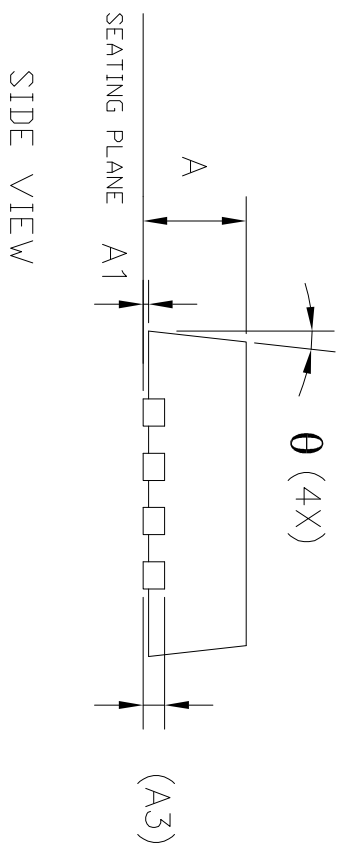
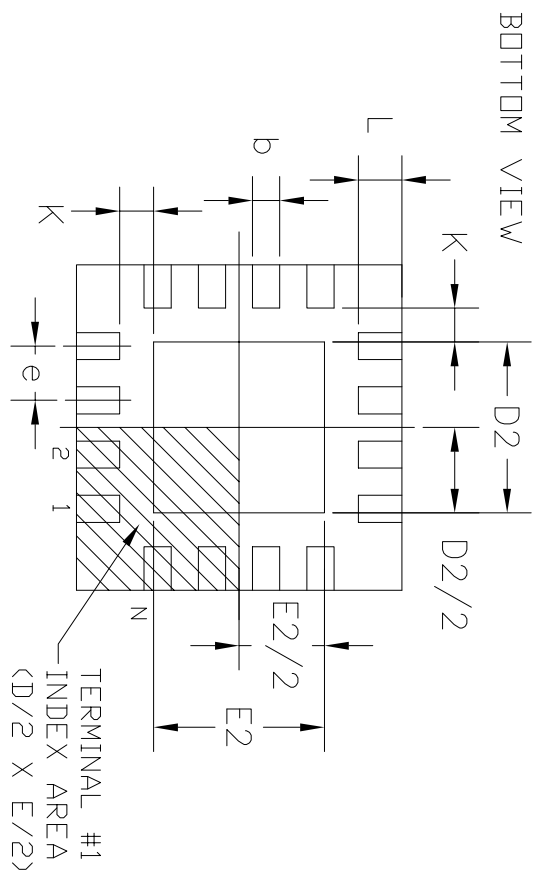
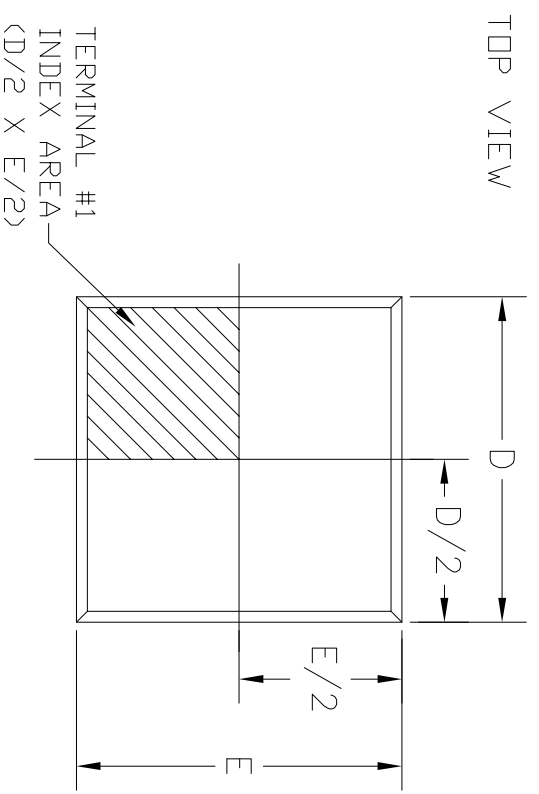
EXAR CORPORATION

16 PIN 3x3 QFN PACKAGE OUTLINE (OPTION 3)

Packaging Approval: Drawing No: 16-PIN 3x3 QFN

By: PC Date: 04/22/09 Revision: A Sheet: 1 OF 1

| REVISION HISTORY | | | |
|------------------|----------------------|----------|-------|
| REV. | DESCRIPTION | DATE | APP'D |
| A | DRAWING ORIGINATION. | 08/03/11 | PC |



| 16LD 3x3 QFN (OPTION 4) JEDEC MO-220 Variation VEED | | | | | | | |
|---|------------------------------------|------|------|--|-------|-------|-------|
| SYMBOLS | DIMENSIONS IN MM (Control Unit) | | | DIMENSIONS IN INCH (Reference Unit) | | | |
| | MIN | NOM | MAX | MIN | NOM | MAX | |
| A | — | — | 1.00 | — | — | — | 0.039 |
| A1 | 0.00 | 0.02 | 0.05 | 0.000 | 0.001 | 0.002 | 0.002 |
| A3 | 0.20 | REF | — | 0.008 | REF | — | 0.008 |
| b | 0.18 | 0.25 | 0.30 | 0.007 | 0.010 | 0.012 | 0.012 |
| D | 3.00 BSC | | | 0.118 BSC | | | |
| D2 | 1.60 | 1.70 | 1.80 | 0.063 | 0.067 | 0.071 | 0.071 |
| E | 3.00 BSC | | | 0.118 BSC | | | |
| E2 | 1.60 | 1.70 | 1.80 | 0.063 | 0.067 | 0.071 | 0.071 |
| e | 0.50 BSC | | | 0.020 BSC | | | |
| L | 0.30 | 0.40 | 0.50 | 0.012 | 0.016 | 0.020 | 0.020 |
| K | 0.20 | — | — | 0.008 | — | — | — |
| theta | 0° | — | 14° | 0° | — | 14° | — |
| N | 16 | | | 16 | | | |
| ND | 4 | | | 4 | | | |
| NE | 4 | | | 4 | | | |

| | | | |
|---------------------|----------------|---|---------------|
| | | EXAR CORPORATION | |
| | | 16 PIN 3x3 QFN PACKAGE OUTLINE (OPTION 4) | |
| Packaging Approval: | | Drawing No: 16-PIN 3x3 QFN | |
| By: PC | Date: 08/03/11 | Revision: A | Sheet: 1 OF 1 |