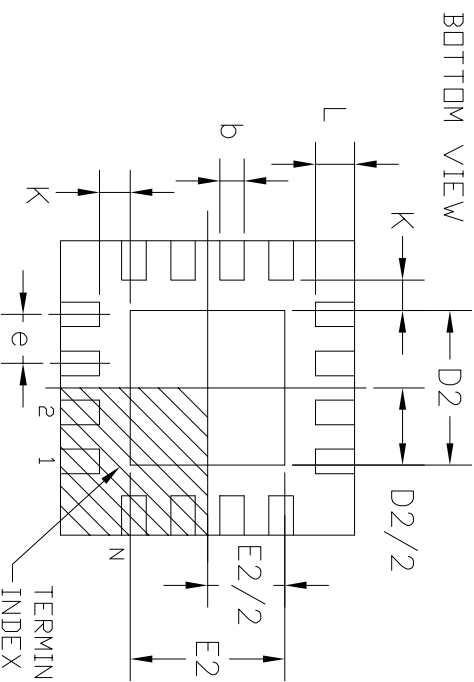
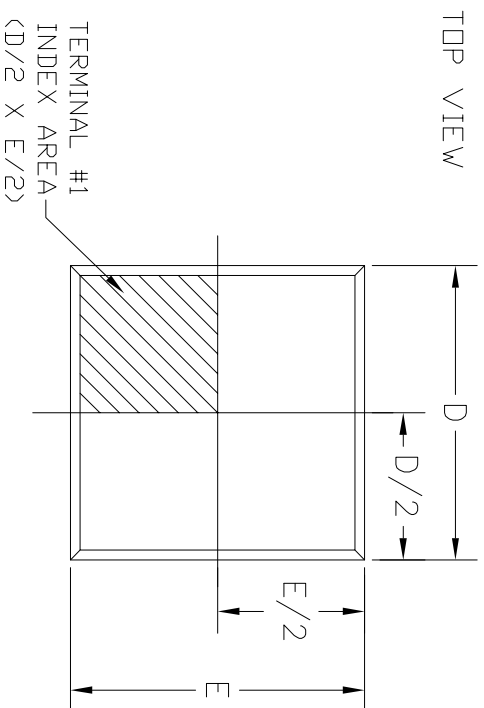
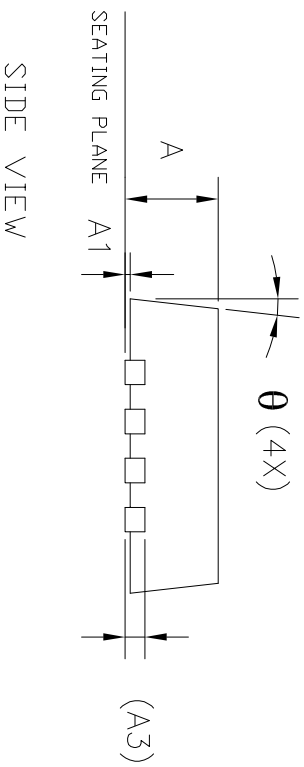
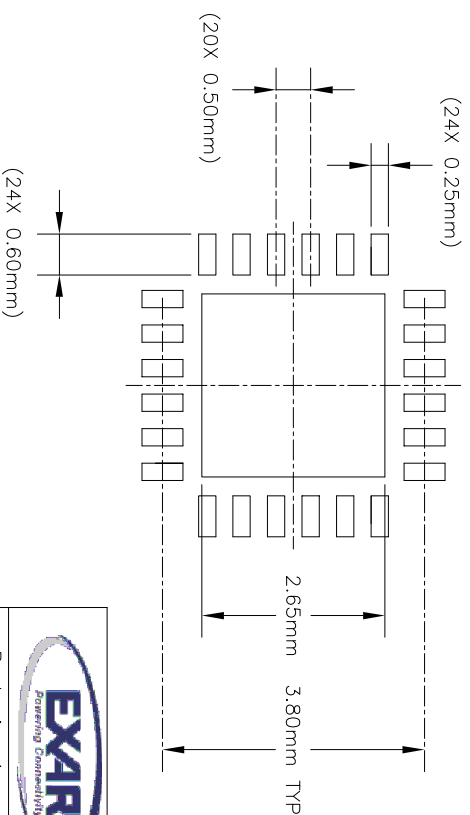


REVISION HISTORY			
REV.	DISCRIPTION	DATE	APP'D
A	DRAWING ORIGINATION	11/21/05	JL
B	MODIFY DRAWING FORMAT	07/20/06	JL
C	CHANGE DRAWING LOGO AND COMPANY NAME	11/28/07	JL
D	ADD RECOMMENDED LAND PATTERN	07/14/11	PC



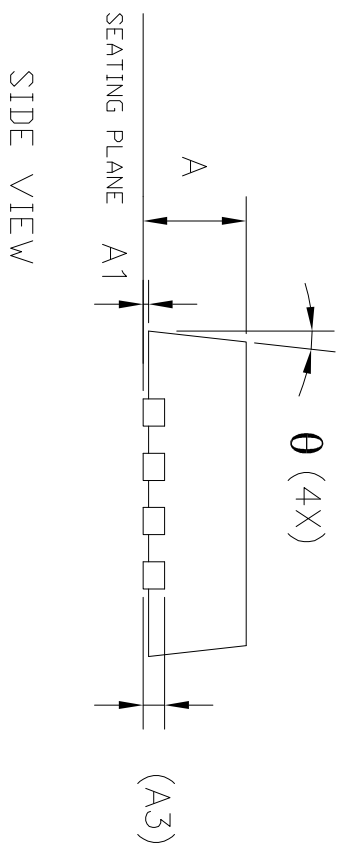
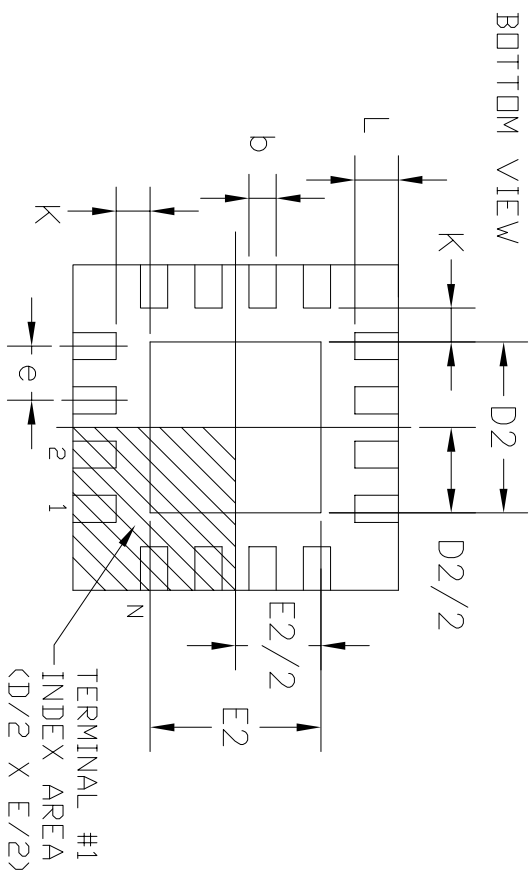
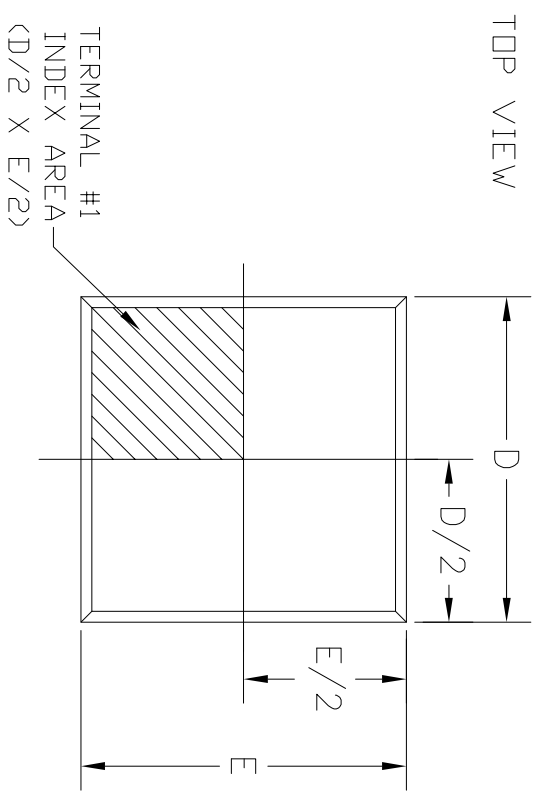
24LD 4x4 QFN (OPTION 1) JEDEC MO-220 Variation VQGD-6									
SYMBOLS	DIMENSIONS IN MM (Control Unit)			DIMENSIONS IN INCH (Reference Unit)					
	MIN	NOM	MAX	MIN	NOM	MAX			
A	0.80	0.90	1.00	0.032	0.036	0.039			
A1	0.00	0.02	0.05	0.000	0.001	0.002			
A3	0.20 REF			0.008 REF					
b	0.18	0.25	0.30	0.007	0.010	0.012			
D	4.00 BSC			0.157 BSC					
D2	2.50	2.65	2.80	0.098	0.104	0.110			
E	4.00 BSC			0.157 BSC					
E2	2.50	2.65	2.80	0.098	0.104	0.110			
e	0.50 BSC			0.020 BSC					
L	0.35	0.40	0.45	0.014	0.016	0.018			
K	0.20	—		0.008	—				
θ	0°		14°		0°				14°
N	24			24					
ND	6			6					
NE	6			6					

RECOMMENDED LAND PATTERN



		EXAR CORPORATION	
Packaging Approval:		Drawing No: 24-PIN 4x4 QFN	
By: PC	Date: 07/14/11	Revision: D	Sheet: 1 OF 1

REVISION HISTORY			
REV.	DISCRPTION	DATE	APP'D
A	DRAWING ORIGINATION	08/03/11	PC



24LD 4x4 QFN (OPTION 2) JEDEC MO-220 Variation VGGD-8						
SYMBOLS	DIMENSIONS IN MM (Control Unit)			DIMENSIONS IN INCH (Reference Unit)		
	MIN	NOM	MAX	MIN	NOM	MAX
A	—	—	1.00	—	—	0.039
A1	0.00	0.02	0.05	0.000	0.001	0.002
A3	0.20 REF			0.008 REF		
b	0.18	0.25	0.30	0.007	0.010	0.012
D	4.00 BSC			0.157 BSC		
D2	2.20	2.45	2.60	0.087	0.096	0.102
E	4.00 BSC			0.157 BSC		
E2	2.20	2.45	2.60	0.087	0.096	0.102
e	0.50 BSC			0.020 BSC		
L	0.30	0.40	0.50	0.012	0.016	0.020
K	0.20	—	—	0.008	—	—
θ	0°	—	14°	0°	—	14°
N	24			24		
ND	6			6		
NE	6			6		

		EXAR CORPORATION	
Packaging Approval:		24 PIN 4x4 QFN PACKAGE OUTLINE (OPTION 2)	
By: PC	Date: 08/03/11	Drawing No: 24-PIN 4x4 QFN	Revision: A
		Sheet: 1	OF 1