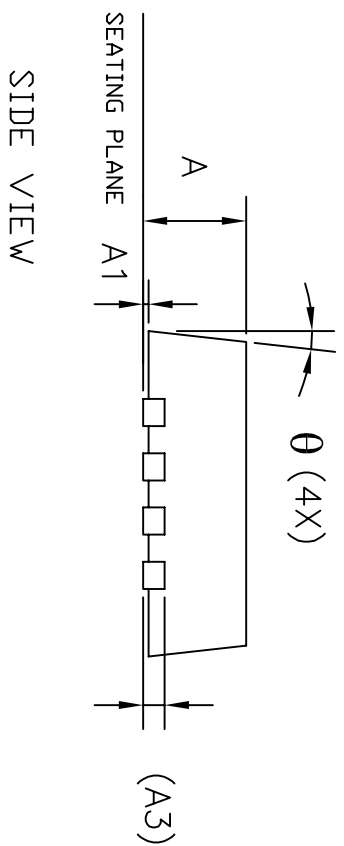
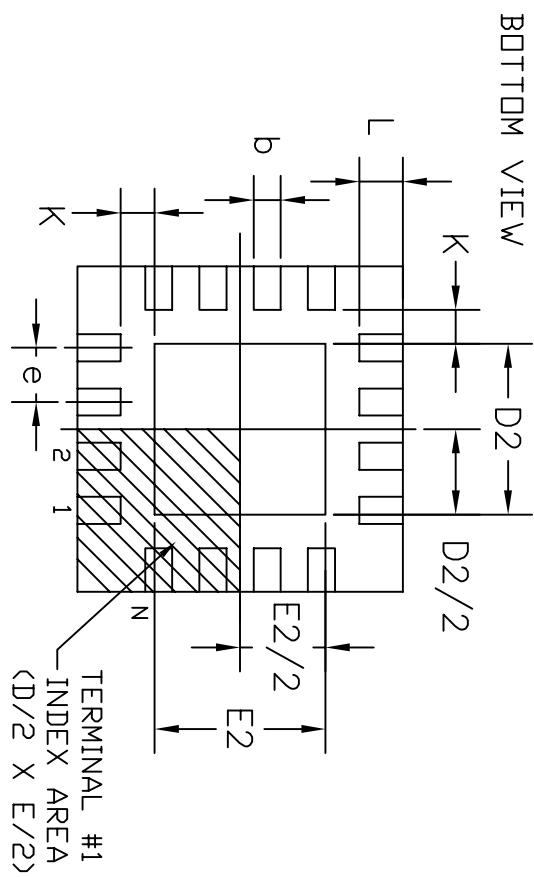
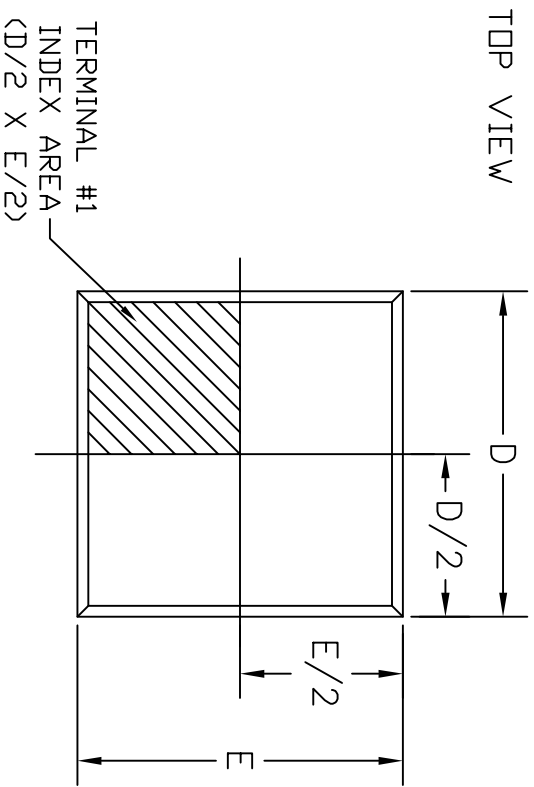



REVISION HISTORY			
REV.	DESCRIPTION	DATE	APP'D
A	DRAWING ORIGINATION	02/11/09	PC



28LD 5x5 QFN JEDEC MO-220 Variation VHHD-3

SYMBOLS	DIMENSIONS IN MM (Control Unit)			DIMENSIONS IN INCH (Reference Unit)		
	MIN	NOM	MAX	MIN	NOM	MAX
A	0.80	0.90	1.00	0.032	0.035	0.039
A1	0.00	0.02	0.05	0.000	0.001	0.002
A3	0.20 REF			0.008 REF		
b	0.18	0.25	0.30	0.007	0.010	0.012
D	5.00 BSC			0.197 BSC		
D2	3.50	3.65	3.80	0.138	0.144	0.150
E	5.00 BSC			0.197 BSC		
E2	3.50	3.65	3.80	0.138	0.144	0.150
e	0.50 BSC			0.020 BSC		
L	0.35	0.40	0.45	0.014	0.016	0.018
K	0.20	—	—	0.008	—	—
$\theta$	0°	—	14°	0°	—	14°
N	28			28		
ND	7			7		
NE	7			7		

		<b>EXAR CORPORATION</b>	
Packaging Approval:		28 PIN 5x5 QFN PACKAGE OUTLINE	
By: PC	Date: 02/11/09	Drawing No: 28-PIN 5x5 QFN	Revision: A
		Sheet: 1 OF 1	