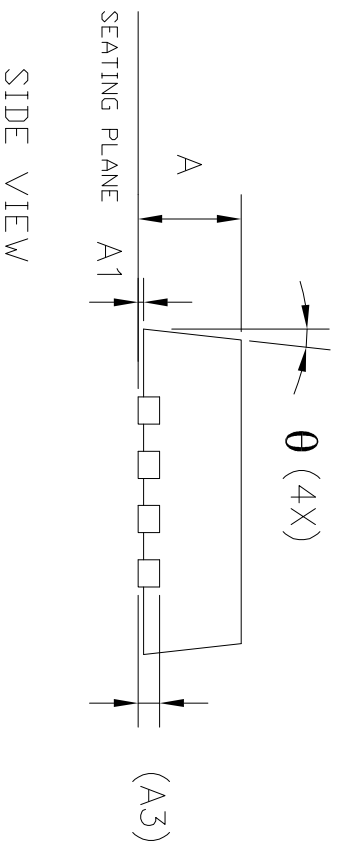
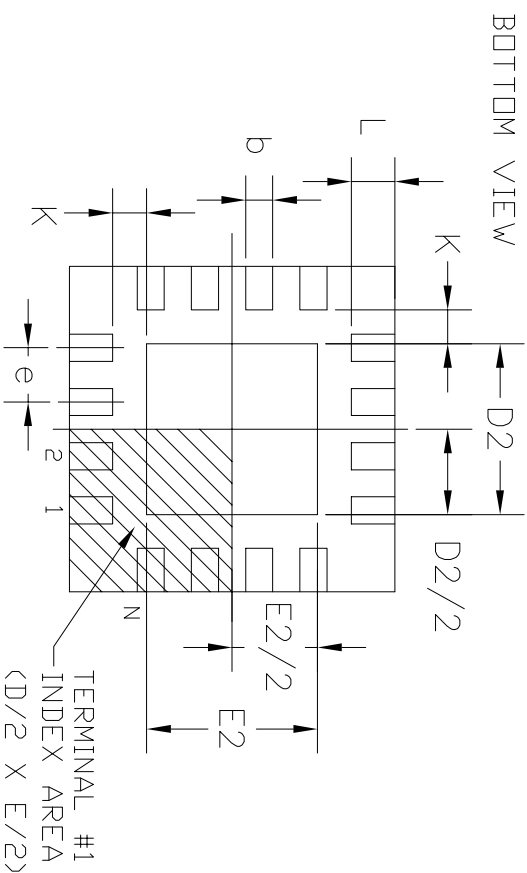
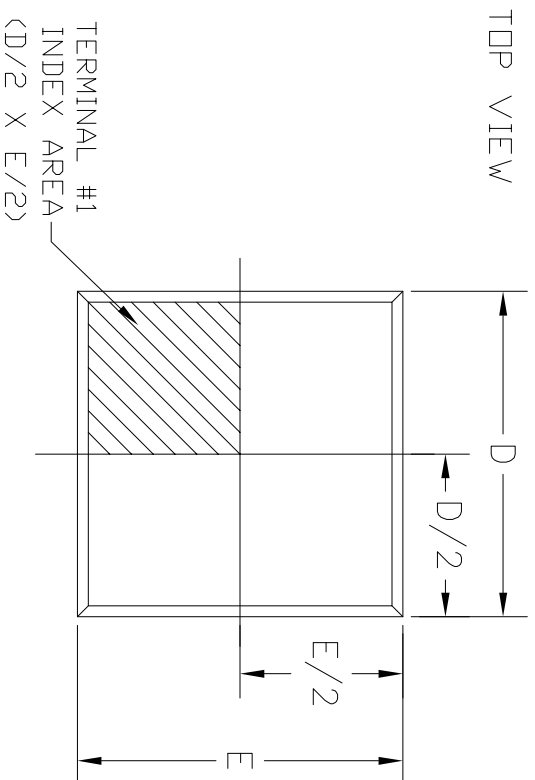



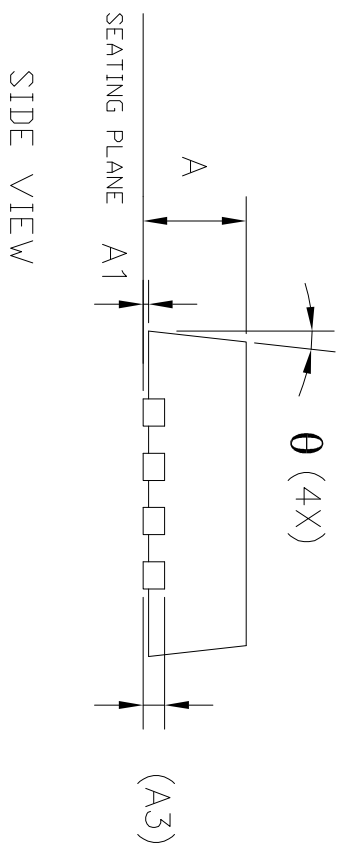
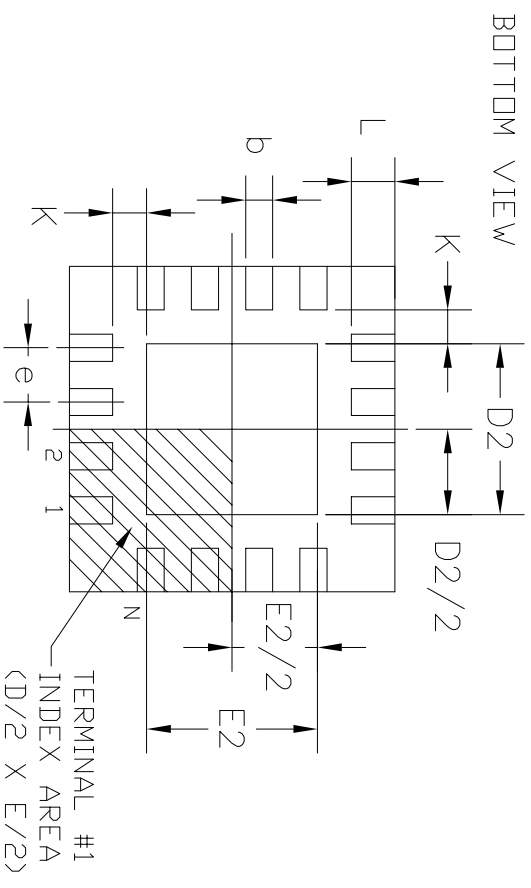
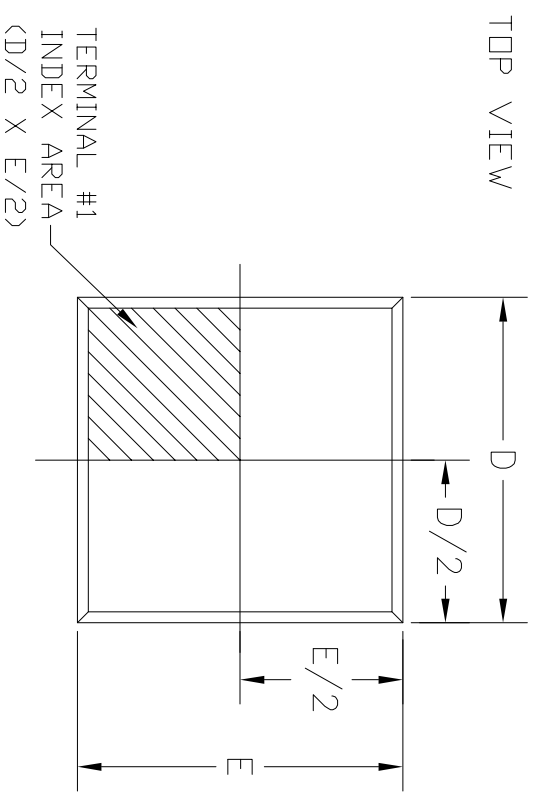
| REVISION HISTORY | | | |
|------------------|--------------------------------------|----------|-------|
| REV. | DISCRIPTION | DATE | APP'D |
| A | DRAWING ORIGINATOR | 11/21/05 | JL |
| B | MODIFY DRAWING FORMAT | 07/20/06 | JL |
| C | CHANGE DRAWING LOCO AND COMPANY NAME | 11/28/07 | JL |
| D | CHANGE DIMENSION D2 AND E2 | 04/29/09 | PC |




| 32LD 5x5 QFN (OPTION 1) JEDEC MO-220 Variation VHHD | | | | | | |
|---|---------------------------------|-------------------------------------|-----------|-------|-------|-------|
| SYMBOLS | DIMENSIONS IN MM (Control Unit) | DIMENSIONS IN INCH (Reference Unit) | | | | |
| | MIN | NOM | MAX | MIN | NOM | MAX |
| A | 0.80 | 0.90 | 1.00 | 0.032 | 0.036 | 0.039 |
| A1 | 0.00 | 0.02 | 0.05 | 0.000 | 0.001 | 0.002 |
| A3 | 0.20 REF | | 0.008 REF | | | |
| b | 0.18 | 0.25 | 0.30 | 0.007 | 0.010 | 0.012 |
| D | 5.00 BSC | | 0.197 BSC | | | |
| D2 | 3.00 | 3.10 | 3.20 | 0.118 | 0.122 | 0.126 |
| E | 5.00 BSC | | 0.197 BSC | | | |
| E2 | 3.00 | 3.10 | 3.20 | 0.118 | 0.122 | 0.126 |
| e | 0.50 BSC | | 0.020 BSC | | | |
| L | 0.35 | 0.40 | 0.45 | 0.014 | 0.016 | 0.018 |
| K | 0.20 | — | | 0.008 | — | |
| θ | 0° | 14° | | 0° | 14° | |
| N | 32 | | 32 | | | |
| ND | 8 | | 8 | | | |
| NE | 8 | | 8 | | | |

| | | | |
|---|----------------|--------------------------------|-------------|
|  | | EXAR CORPORATION | |
| Packaging Approval: | | 32 PIN 5x5 QFN PACKAGE OUTLINE | |
| By: PC | Date: 04/29/09 | Drawing No: 32-PIN 5x5 QFN | Revision: D |
| | | Sheet: 1 | OF 1 |

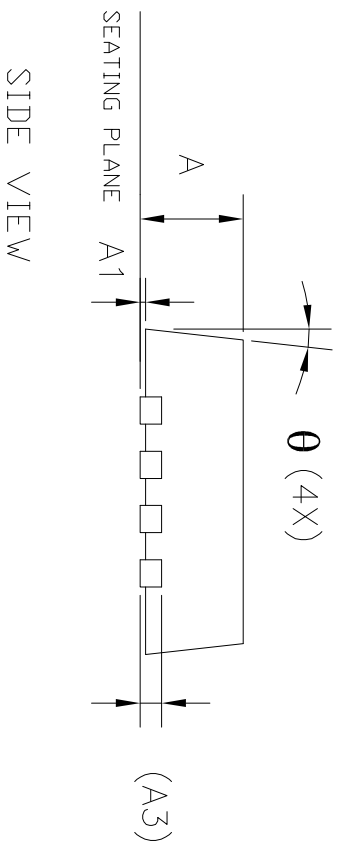
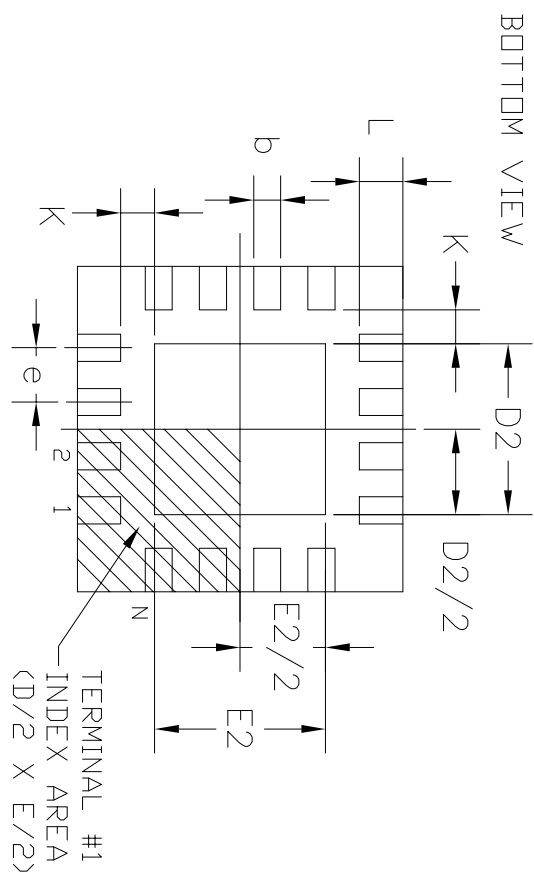
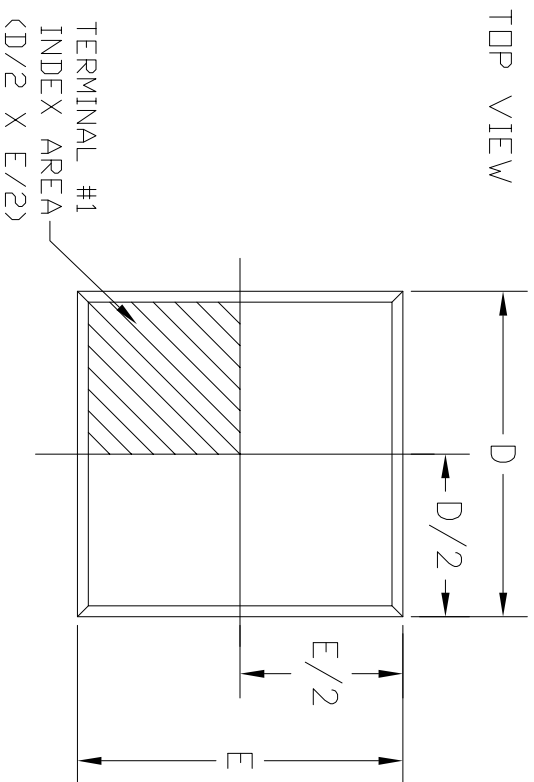
| REVISION HISTORY | | | |
|------------------|---------------------|----------|-------|
| REV. | DISCRIPTION | DATE | APP'D |
| A | DRAWING ORIGINATION | 08/05/11 | PC |
| | | | |
| | | | |



| SYMBOLS | | DIMENSIONS IN MM (Control Unit) | | DIMENSIONS IN INCH (Reference Unit) | | |
|----------|----------|---------------------------------|-----------|-------------------------------------|-------|-------|
| MIN | NOM | MAX | MIN | NOM | MAX | |
| A | 0.80 | 0.90 | 1.00 | 0.032 | 0.035 | 0.039 |
| A1 | 0.00 | 0.02 | 0.05 | 0.000 | 0.001 | 0.002 |
| A3 | 0.20 REF | | 0.008 REF | | | |
| b | 0.18 | 0.25 | 0.30 | 0.007 | 0.010 | 0.012 |
| D | 5.00 BSC | | 0.197 BSC | | | |
| D2 | 3.50 | 3.65 | 3.80 | 0.138 | 0.144 | 0.150 |
| E | 5.00 BSC | | 0.197 BSC | | | |
| E2 | 3.50 | 3.65 | 3.80 | 0.138 | 0.144 | 0.150 |
| e | 0.50 BSC | | 0.020 BSC | | | |
| L | 0.35 | 0.40 | 0.45 | 0.014 | 0.016 | 0.018 |
| K | 0.20 | — | — | 0.008 | — | — |
| θ | 0° | — | 14° | 0° | — | 14° |
| N | 32 | | 32 | | | |
| ND | 8 | | 8 | | | |
| NE | 8 | | 8 | | | |

| | | | |
|---|----------------|---|---------------|
|  | | EXAR CORPORATION | |
| | | 32 PIN 5x5 QFN PACKAGE OUTLINE (OPTION 3) | |
| Packaging Approval: | | Drawing No: 32-PIN 5x5 QFN | |
| By: PC | Date: 08/05/11 | Revision: A | Sheet: 1 OF 1 |

| REVISION HISTORY | | | |
|------------------|---------------------|----------|-------|
| REV. | DESCRIPTION | DATE | APP'D |
| A | DRAWING ORIGINATION | 06/08/11 | PC |
| | | | |
| | | | |



| 32LD 5x5 QFN (OPTION 2) JEDEC MO-220 Variation VHHD | | | | | | | | | |
|---|------------------------------------|------|------|--|-------|-------|--|--|--|
| SYMBOLS | DIMENSIONS IN MM (Control Unit) | | | DIMENSIONS IN INCH (Reference Unit) | | | | | |
| | MIN | NOM | MAX | MIN | NOM | MAX | | | |
| A | 0.80 | 0.90 | 1.00 | 0.032 | 0.036 | 0.039 | | | |
| A1 | 0.00 | 0.02 | 0.05 | 0.000 | 0.001 | 0.002 | | | |
| A3 | 0.20 REF | | | 0.008 REF | | | | | |
| b | 0.18 | 0.25 | 0.30 | 0.007 | 0.010 | 0.012 | | | |
| D | 5.00 BSC | | | 0.197 BSC | | | | | |
| D2 | 3.75 | 3.80 | 3.85 | 0.148 | 0.150 | 0.152 | | | |
| E | 5.00 BSC | | | 0.197 BSC | | | | | |
| E2 | 3.75 | 3.80 | 3.85 | 0.148 | 0.150 | 0.152 | | | |
| e | 0.50 BSC | | | 0.020 BSC | | | | | |
| L | 0.35 | 0.40 | 0.45 | 0.014 | 0.016 | 0.018 | | | |
| K | 0.20 | — | — | 0.008 | — | — | | | |
| theta | 0° | — | 14° | 0° | — | 14° | | | |
| N | 32 | | | 32 | | | | | |
| ND | 8 | | | 8 | | | | | |
| NE | 8 | | | 8 | | | | | |

| | | | |
|-------------------------|--|----------------------------|----------------|
| | | Packaging Approval: | |
| | | By: PC | Date: 06/08/11 |
| EXAR CORPORATION | | Drawing No: 32-PIN 5x5 QFN | |
| | | Revision: A Sheet: 1 OF 1 | |

32 PIN 5x5 QFN PACKAGE OUTLINE (OPTION 2)